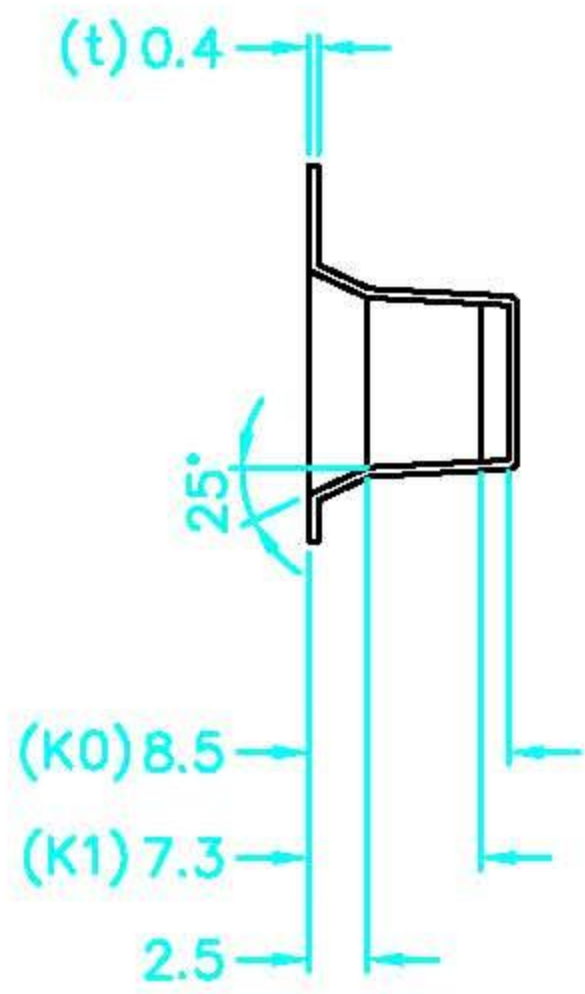
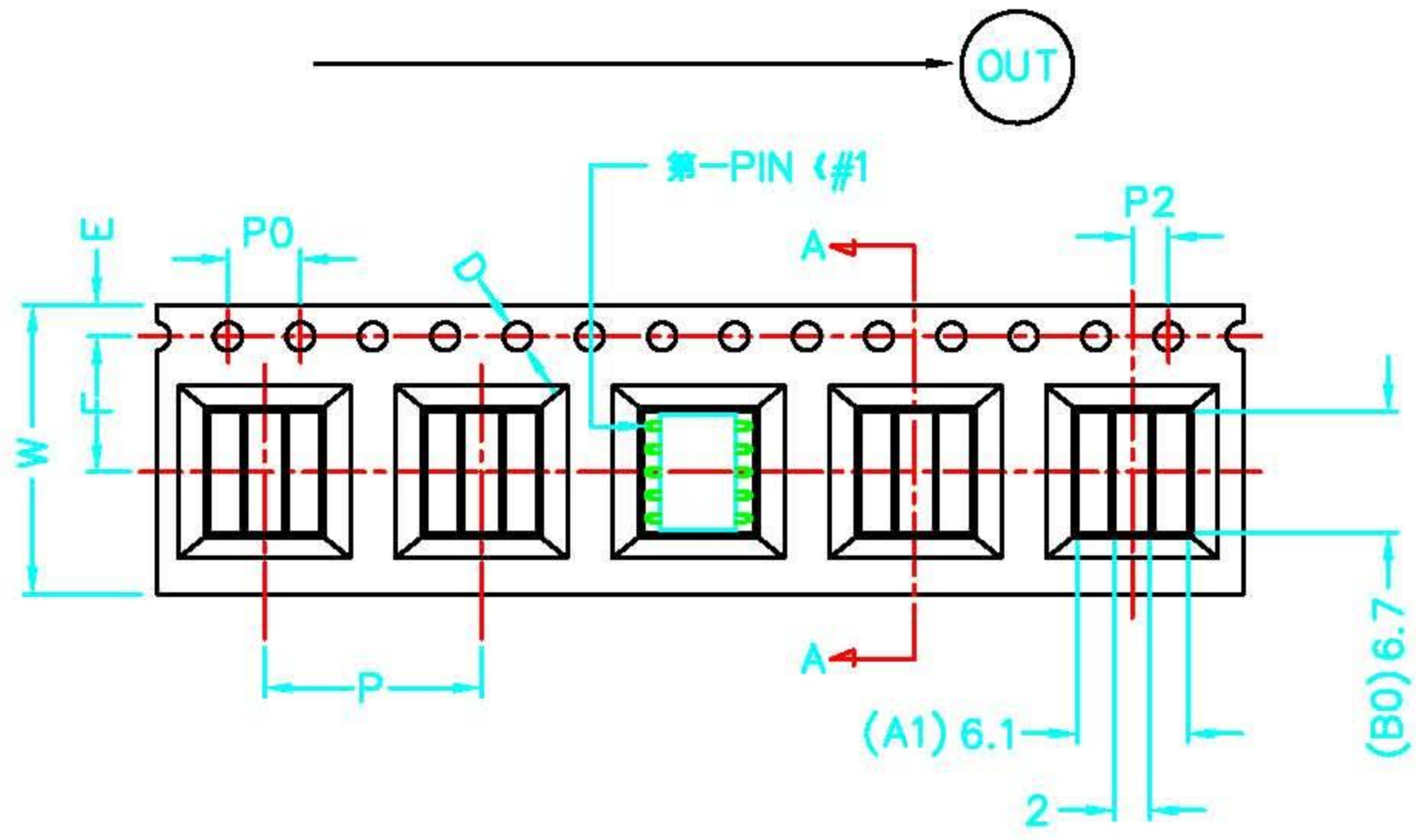
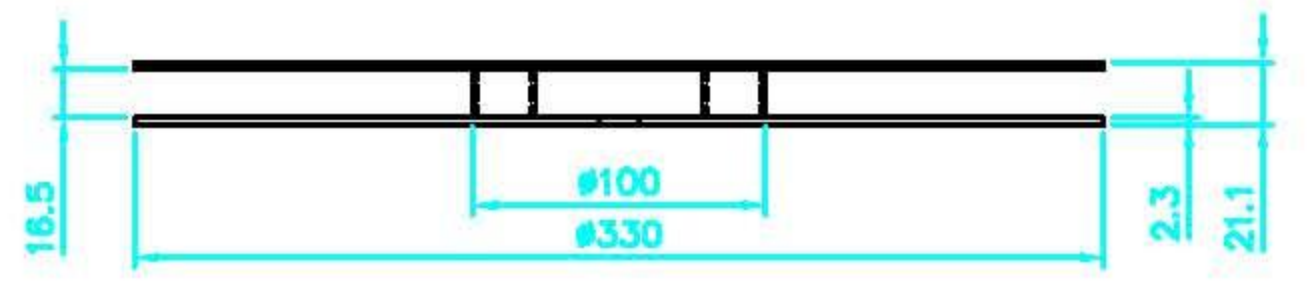
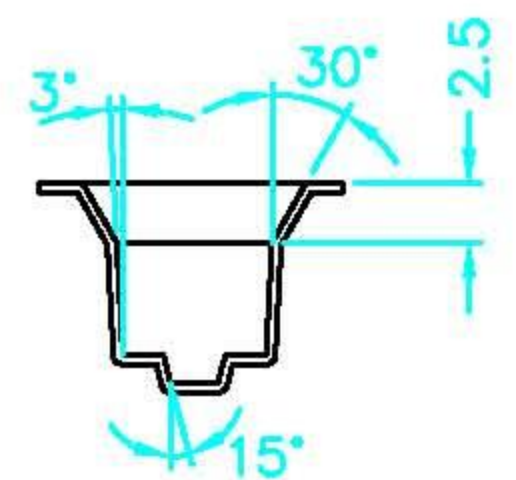


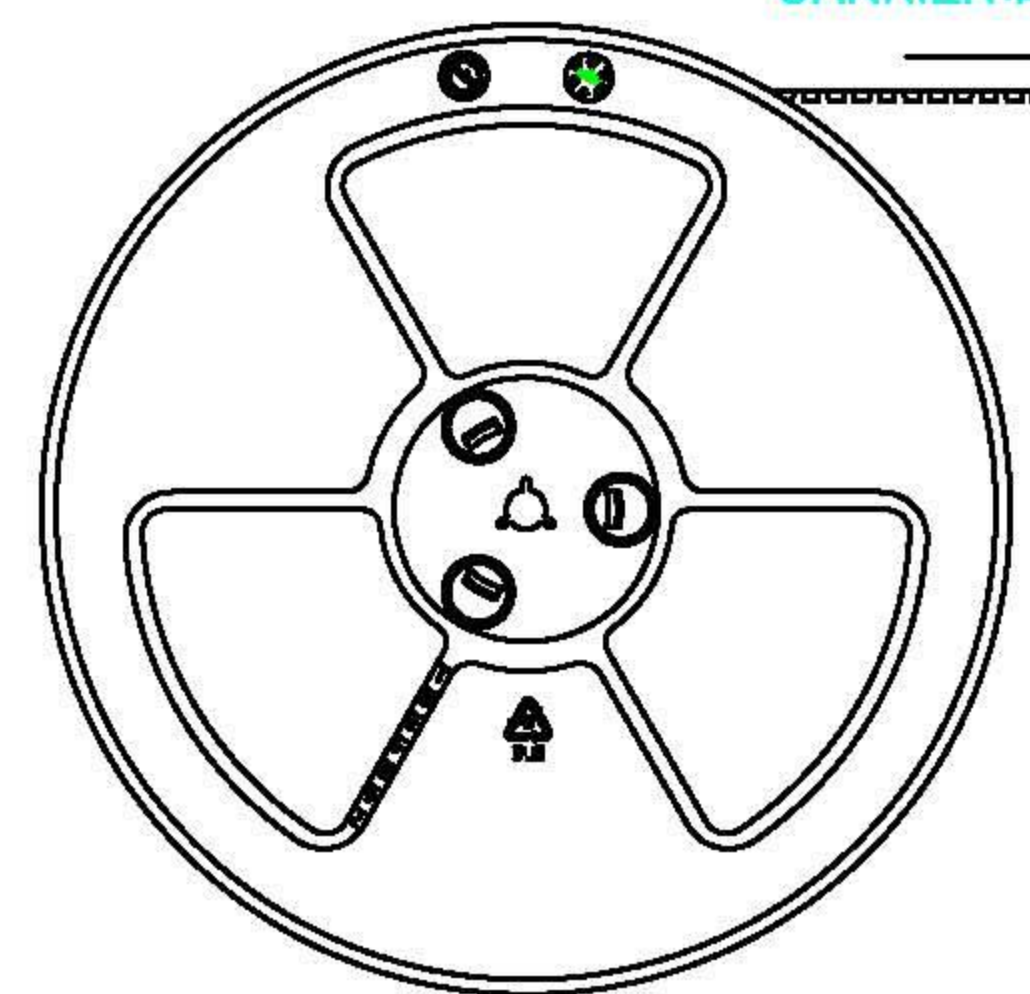
OUT



SECTION A-A

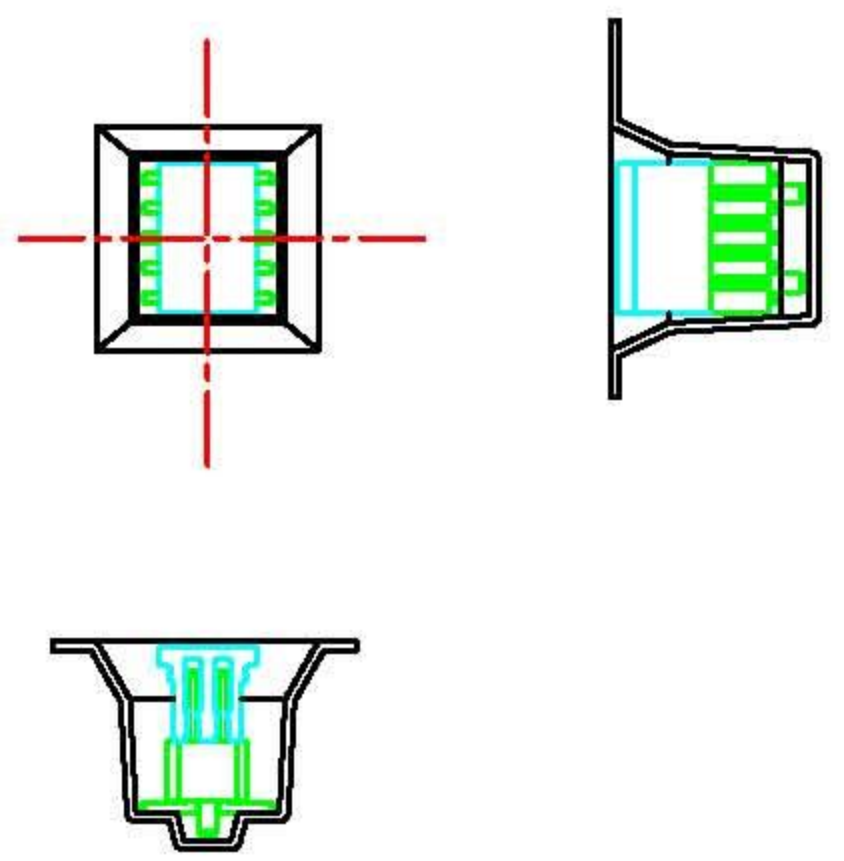


CARRIER帶帶出方向



scale 1:4

REEL FOR CARRIER TAPE



NOTE:

- 1.10 sprocket hole pitch cumulative tolerance $\pm 0.20\text{mm}$.
2. Carrier camber not to exceed 1mm in 100mm.
3. A_0 and B_0 measured on a plane 0.3mm above the bottom of the pocket.
4. K_0 measured from a plane on the inside bottom of the pocket to the top surface of the carrier.
5. All dimensions meet EIA-481 requirements.
6. Material: Black Anti-static Polystyrene.
7. Thickness: $0.40 \pm 0.05\text{ mm}$.
8. Packing length per 22" reel : 25 Meters.
9. Component loaded per 13" reel : 600 pcs. (Core 4")

ITEM	W	A_0	B_0	K_0	K_1	P	F	E	D	D_1	P_0	P_2
DIM	16.0 ^{+0.30} _{-0.30}	6.10 ^{+0.20} _{-0.10}	6.70 ^{+0.20} _{-0.10}	8.50 ^{+0.20} _{-0.10}	7.30 ^{+0.20} _{-0.10}	12.0 ^{+0.10} _{-0.10}	7.50 ^{+0.10} _{-0.10}	1.75 ^{+0.10} _{-0.10}	1.50 ^{+0.10} _{-0.00}	0.00 ^{+0.25} _{-0.00}	4.00 ^{+0.10} _{-0.10}	2.00 ^{+0.10} _{-0.10}
ALTERNATE						問題善明: (Note:)						
客6確認: Customer Approved:	確認日期: Date:											

Title	23241210(T/R package)		
Date	98.12.03	核准	
Unit	mm	APPROVED	
Scale	2:1	審核	
Mirror		AUDITED	
Rev No.	1/1	設計	
File No.	WG-2737	DESIGNED	